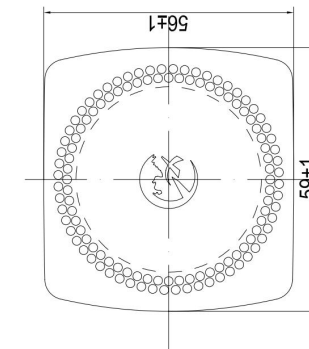
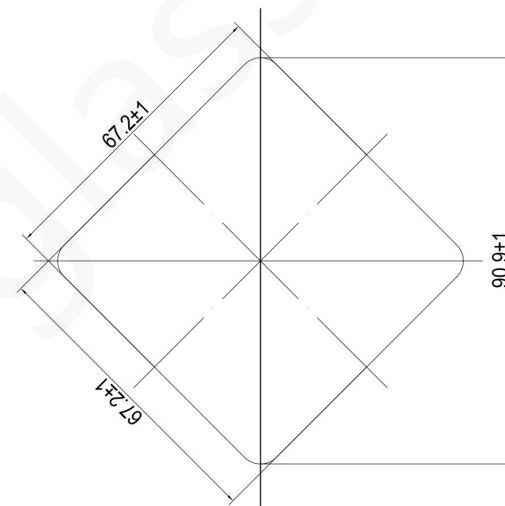
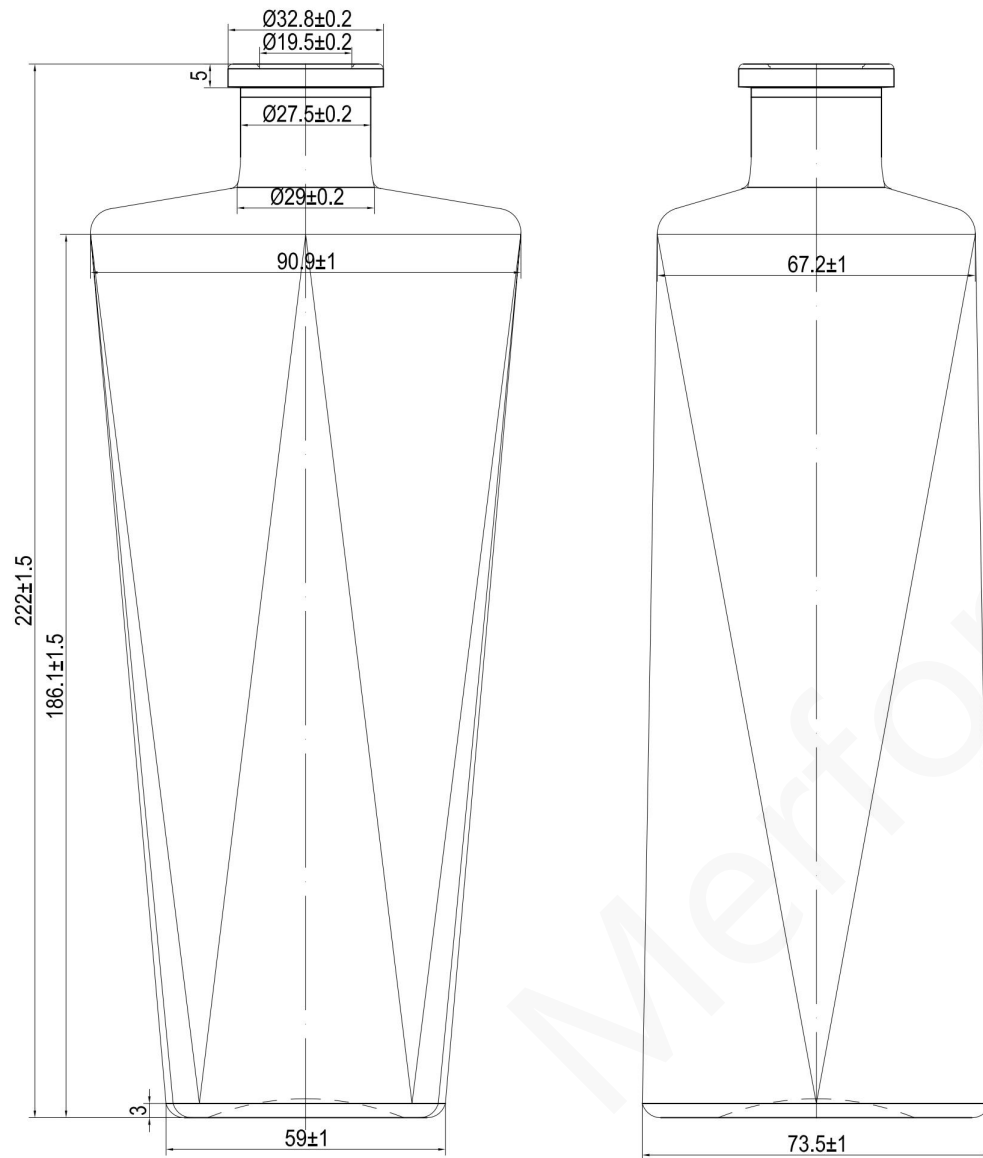


TECHNICAL DRAWING

500 ML 680G / Super Flint Material



NAME OF BOTTLE:	Merfons-glass bottle-576		
CAPACITY:	500ml	GLASS WEIGHT :	680±10g
FULL CAPACITY:	530±8ml	GLASS HEIGHT :	222±1.5ml
DIAMETER:	90.9±1mm	MATERIAL:	EXTRA FLINT
FINISH OUTSIDE:	32.8±0.2mm	FINISH INSIDE:	19.5±0.2mm